



Hex Head Screws Mushroom Head
Pan Head Screws

Product Description:

Model Number: Pan Head Screws

Material: Alloy Steel, Stainless steel

Head type: Mushroom head, pan head

Length: 8mm-100mm

Color: black blue Gold

Delivery: in stock

Standard : ISO, JIS, GB, ANSI, BSW, DIN or non standard as customize

Grade: 4.8, 6.8, 8.8, 12.9, etc

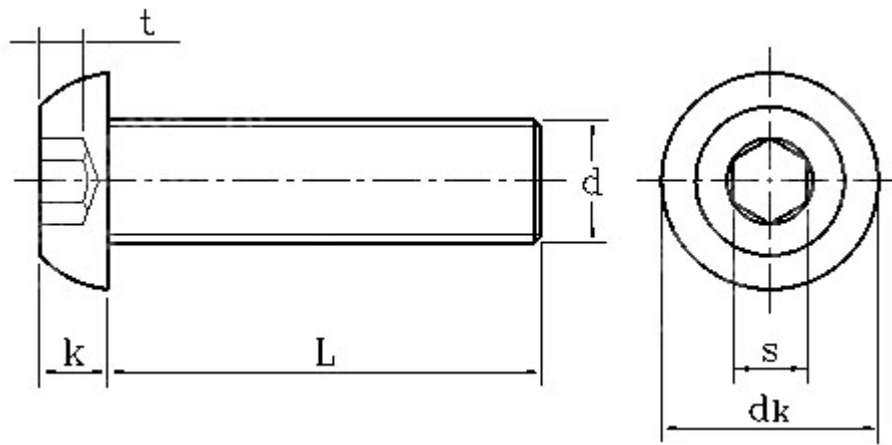
Size: M3-M24 or made to print as customer's specification or Specifications

Various shape size according to client's requirement

Thread: UNC , UNF metric thread

Finish: Plain, Zinc Plated (Clear/Blue/Yellow/Black), black oxide, H.D.G, as a custom need

Commodity parameters:



Unit:mm

Nominal diameter	Pitch	dk		k		s		t
		max	min	max	min	max	min	min
M2	0.4	3.5	3.3	1.3	1.16	1.36	1.30	0.6
M2.5	0.45	4.7	4.5	1.50	1.36	1.56	1.5	0.8
M3	0.5	5.7	5.4	1.65	1.40	2.045	2.020	1.04
M4	0.7	7.6	7.24	2.20	1.95	2.56	2.52	1.3
M5	0.8	9.5	9.14	2.75	2.50	3.071	3.020	1.56
M6	1	10.5	10.07	3.3	3.0	4.084	4.020	2.08
M8	1.25	14	13.57	4.4	4.1	5.084	5.020	2.6
M10	1.5	17.50	17.07	5.5	5.2	6.095	6.020	3.12
M12	1.75	21.00	20.48	6.60	6.24	8.115	8.025	4.16
M16	2	28	27.48	8.80	8.44	10.115	10.025	5.2



Made in China

www.clichnuts.com